

Plastic Injection Moulding Shop – 1.



Production plant of
1400sqm

Plastic Injection Moulding Shop – 2.



Continuous improvements
tailored to your needs

From both own sources and
subsidiaries

100% private owned and
financed

Plastic Injection Moulding Shop – 3.



**Plastic Injection
Moulding
Clamping force:
600-3500kN**

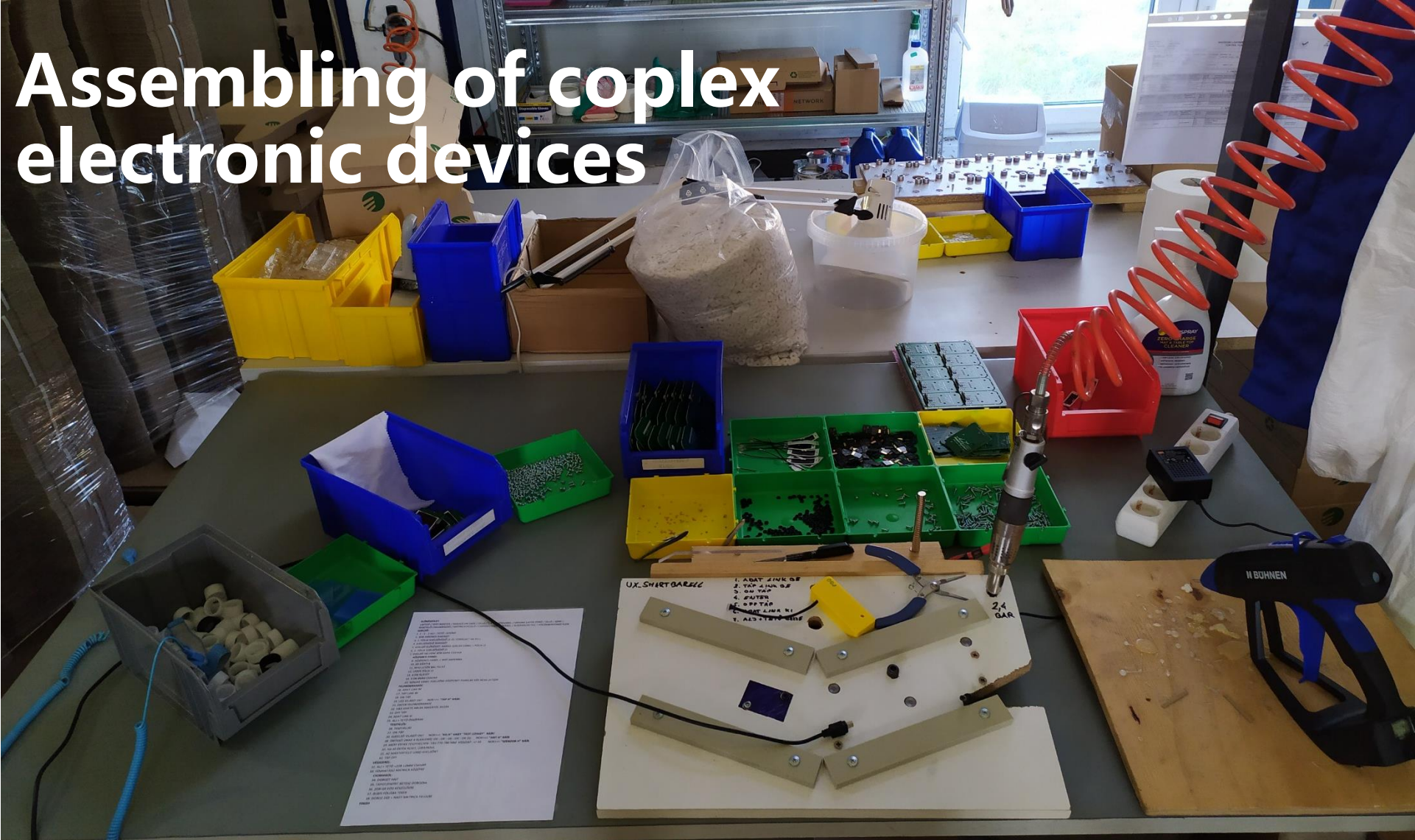
Stock of finished goods



Surface utilisation can be improved by 100-150% - using High pallet racks

Assembling – 1.

Assembling of complex electronic devices

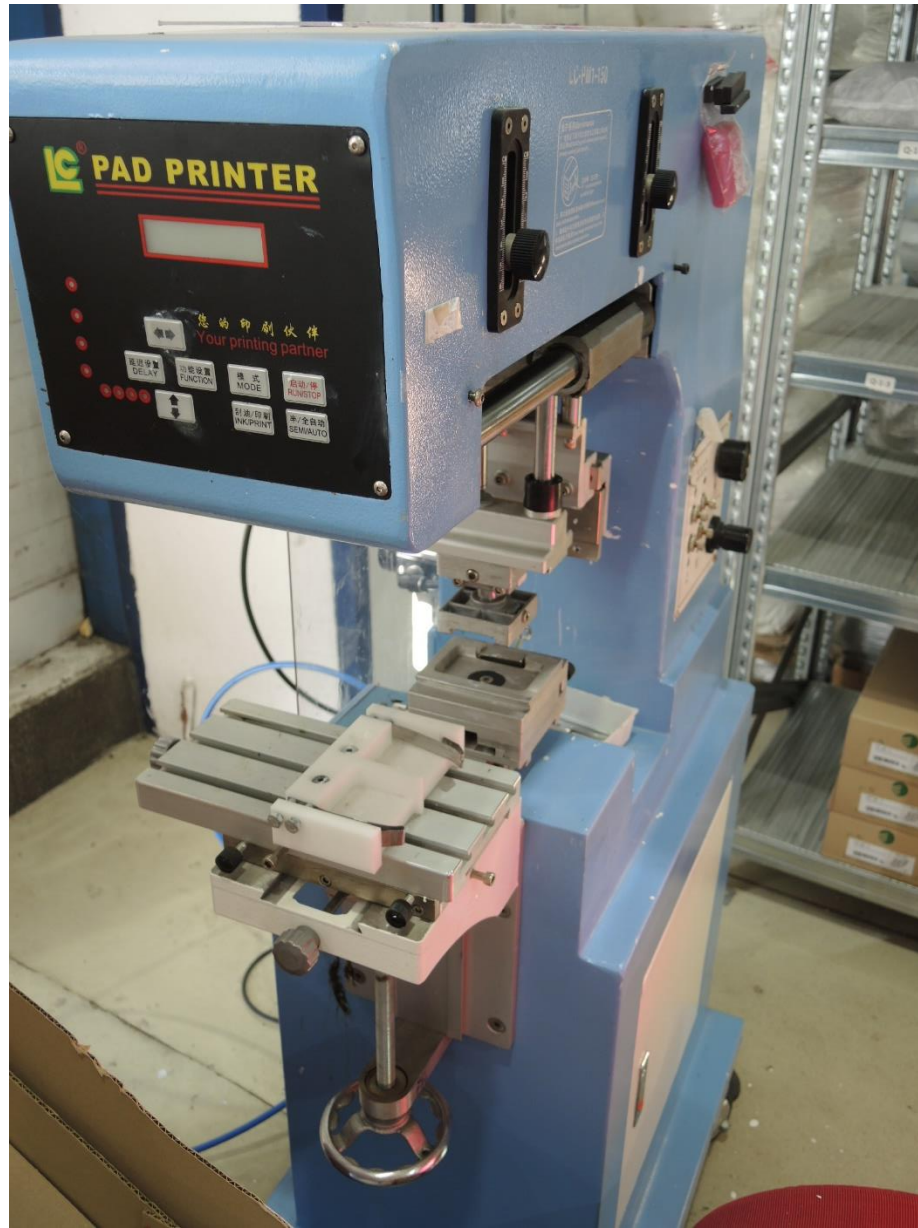


Assembling – 2.

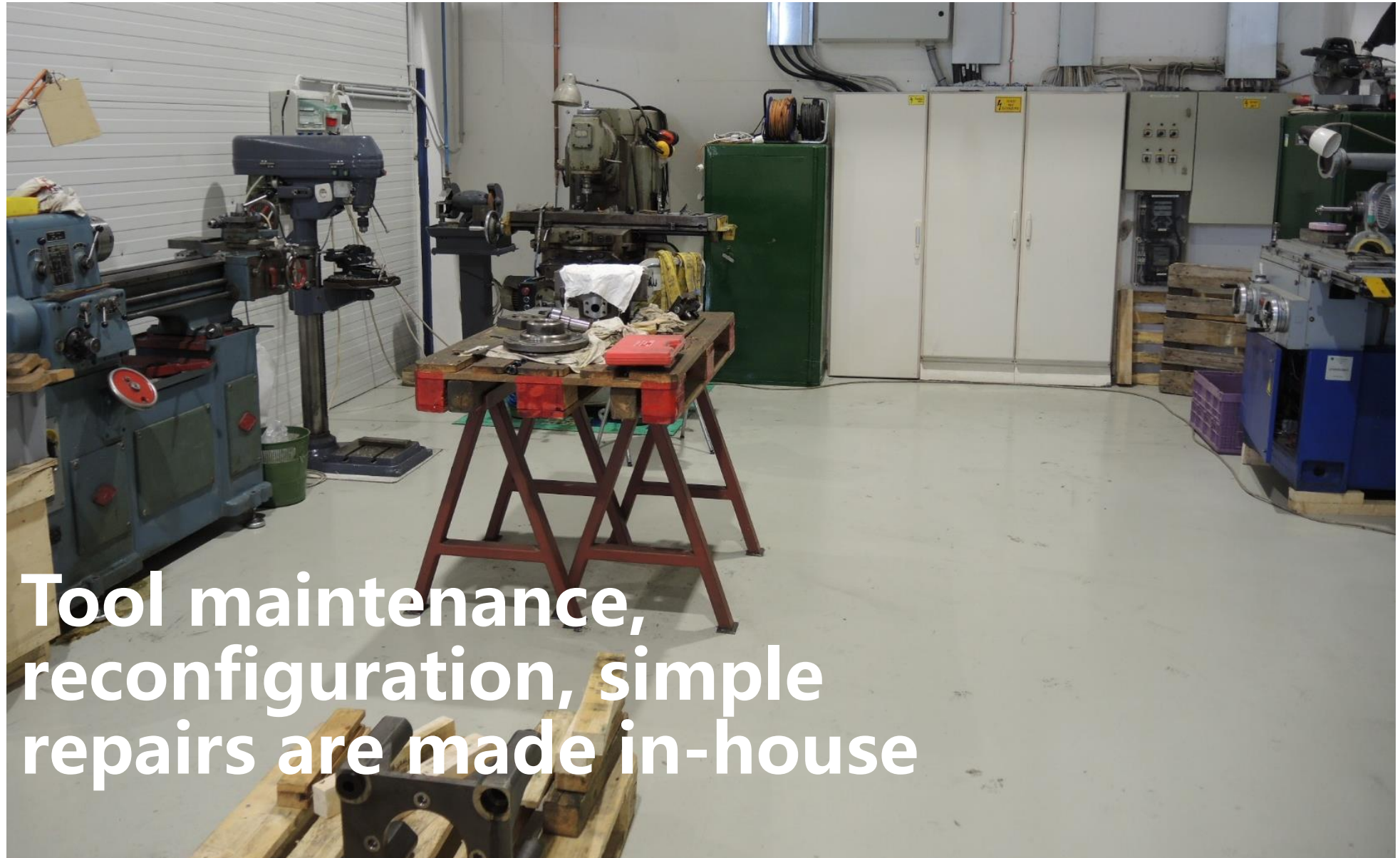


**PLC controlled Special
purpose Machines**

Pad printing 1 or 2 colour



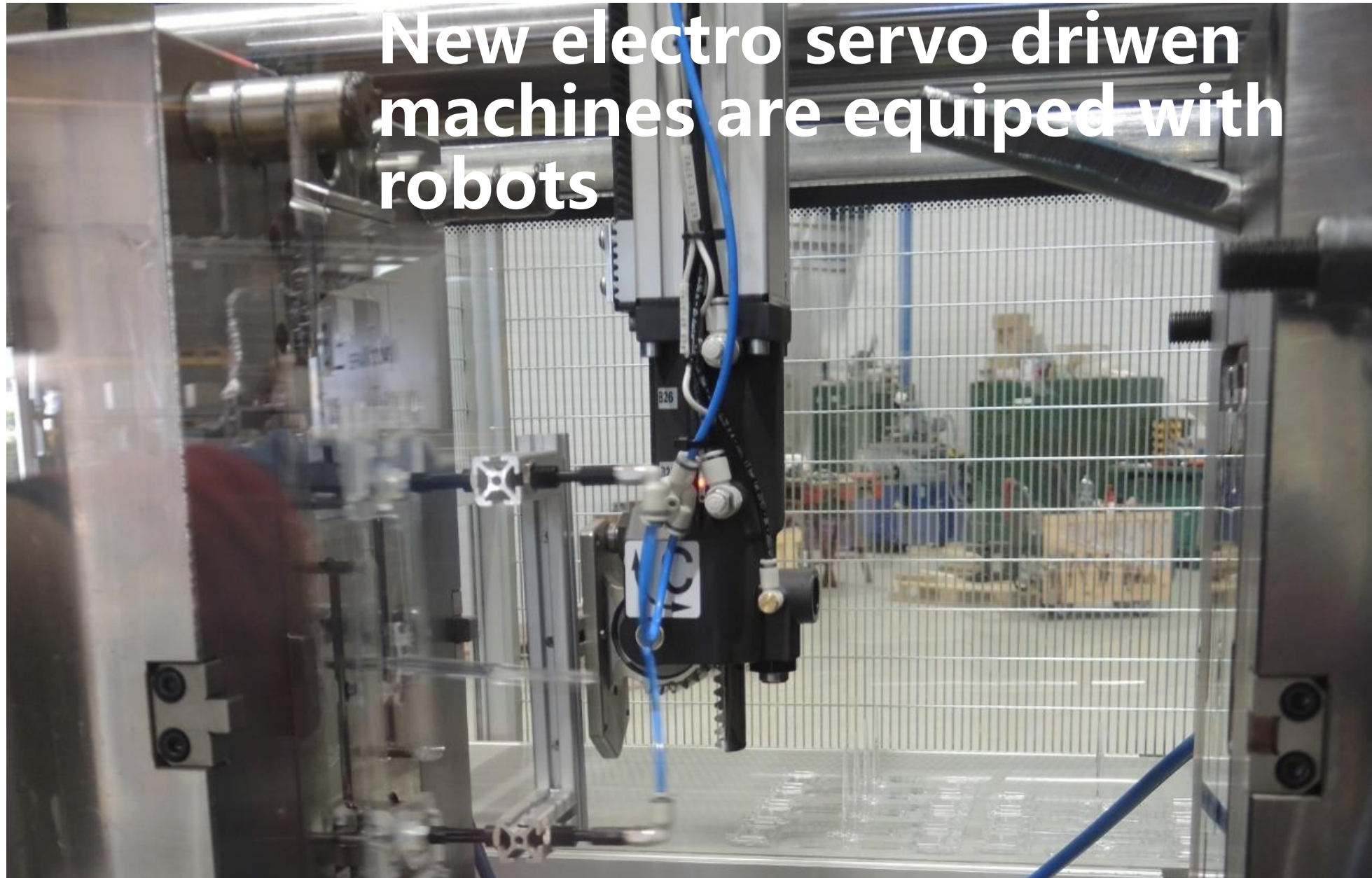
TOOL SHOP



**Tool maintenance,
reconfiguration, simple
repairs are made in-house**

Robotozation

New electro servo driven machines are equipped with robots

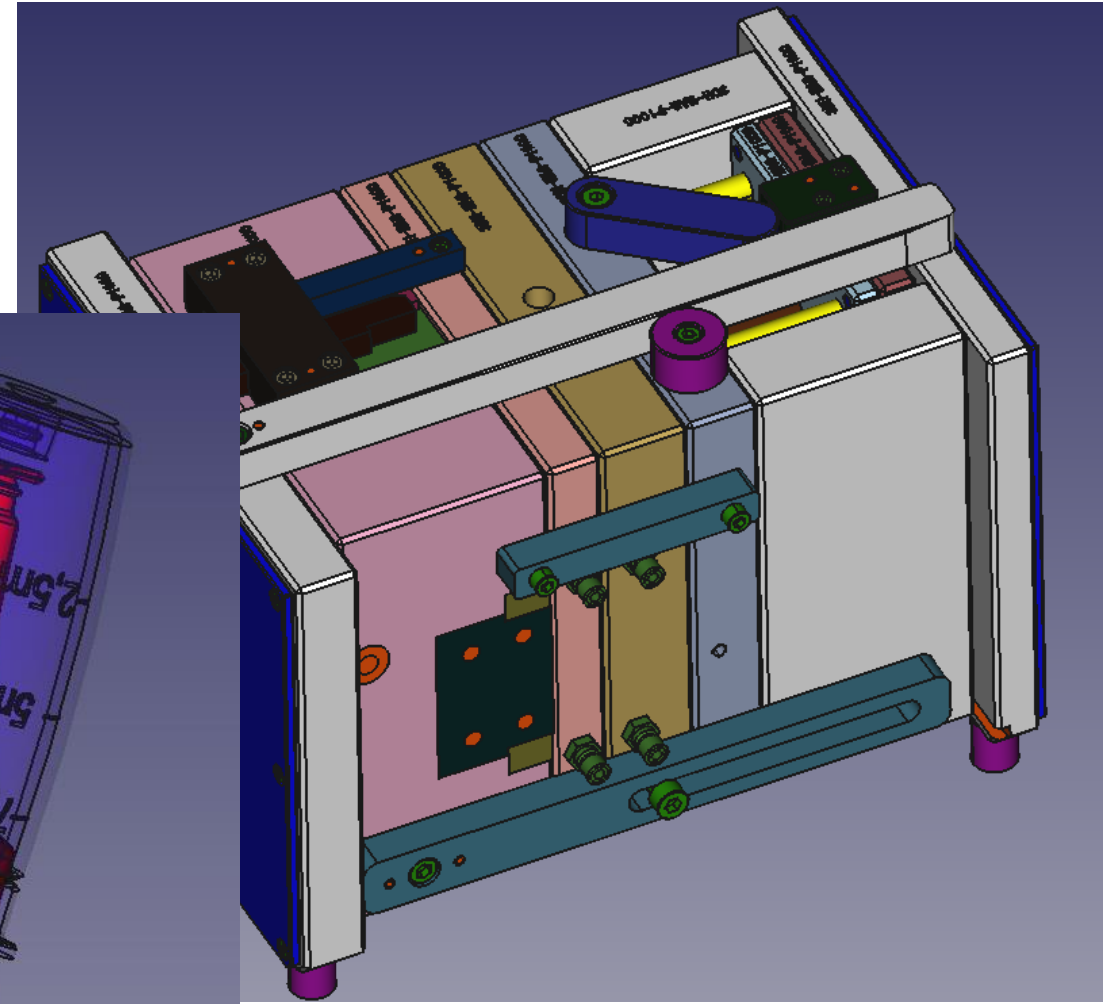
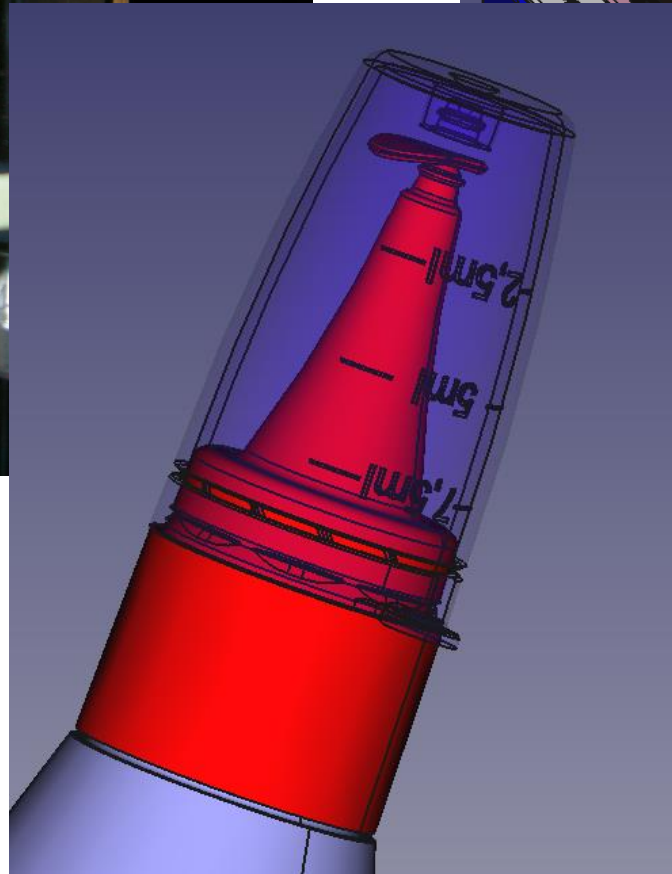
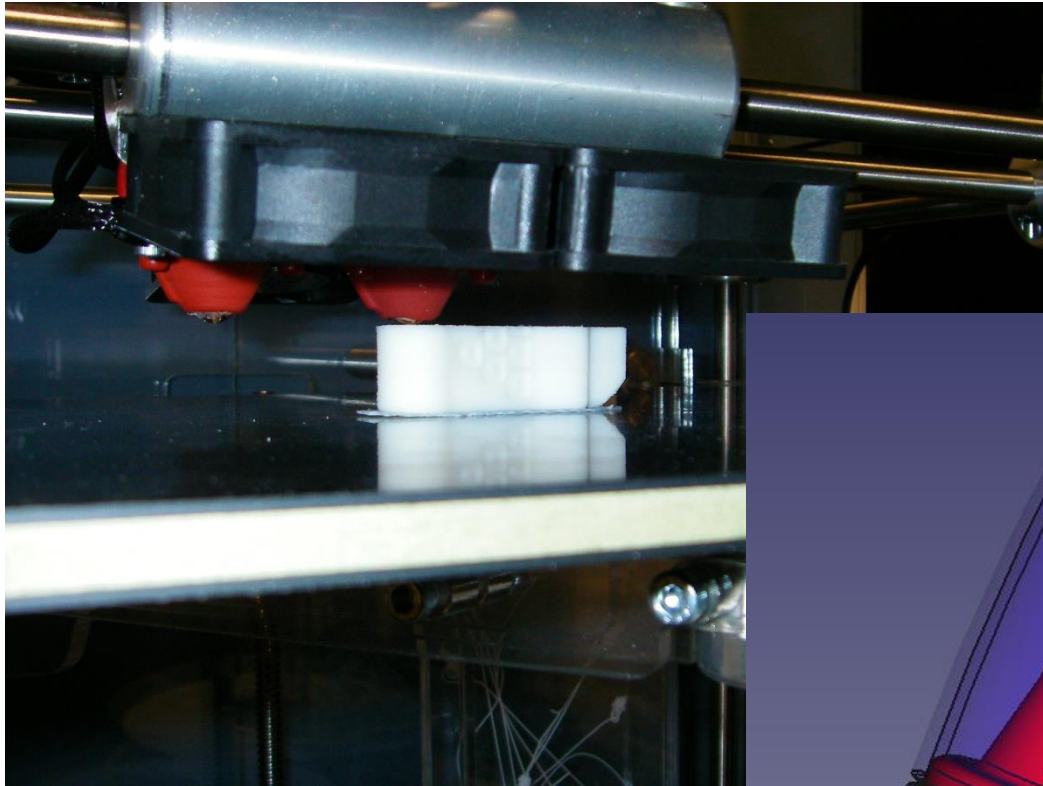


Measuring System



**ATOS Core 5M Professional
Optical Measuring System
VDI 2364 certification
MSA, SPC, PPAP, FMEA, 8D
are core tools**

Design, 3D prototyping, Toolmaking



ISO9001/2015 Certification by 3rd Party



Building – 1.



**Accessible by any
kind of Trucks**

Building – 2.



**Close to High-Way
leads to Austria**